

Optical radiation

Luminance Probe Head FLA 603 LDM2



- Luminance measuring head, equipped with achromatically corrected, low stray light optics and high quality V(l) detector according to DIN class B.
- The external sighting device allows, at a working distance of 1m, to exactly locate the measuring point, therefore, it is particularly suitable for evaluating the luminance for service and constancy tests.
- Three measuring channels with different sensitivity.
- Typical applications: Luminescent surfaces such as colour monitors, alphanumeric displays, sign plates and light panels, and reflecting surfaces, such as walls and equipment at work places, projecting screens, traffic and sign plates, guided paths and roadway lines.

Technical data:

Measuring range:	0.04 cd/m ² to appr. 6400 cd/m ²
Smallest resolution:	10 mcd/m ²
Field of view:	1°
Sensitivity:	approx. 30 pA/(cd/m ²)
Spectral adaptation:	approxim. to photometric valuat. function V(l) for photopic vision, class B, better than 6%
Field of view diameter :	approx. 30 mm at a distance of 0.5 m approx. 40 mm at a distance of 1 m approx. 120 mm at a distance of 5 m
Nominal temperature:	24°C ±2K
Operat./storage temperature:	0 to 60°C/-10 to +80°C
Humidity range:	10 to 90% (non-condensing)
Measuring surface:	21mm x 21mm at 1m operating distance
Meets standards:	IEC 61223-2-5, DIN 5032-T.7
Dimensions:	diameter 30mm, length 150 mm

Variants

Luminance probe head with 1° field of view and external sighting device, DIN quality class B, with ALMEMO® connecting cable 1.5m long, incl. factory calibration certificate calibration in cd/m²

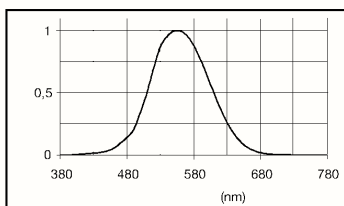
Order no.

FLA603LDM2

Light Flux Probe Head FLA 603 LSM4

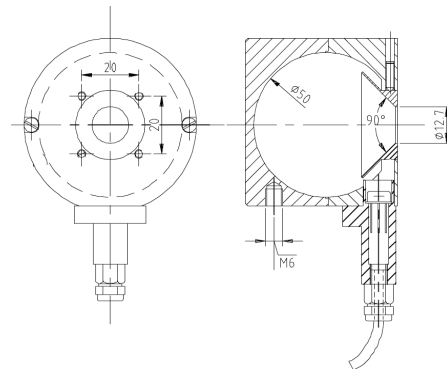


- High quality measuring head, DIN class B for light flux measurement with Ulbricht globe photometer.
- Perfect coating of the globe with BaSO₄ for diffuse reflectivity and spectrally neutral reflection quality.
- Suitable for cold light sources, and lamps with high colour temperature and almost monochromatic radiation (as in LEDs).
- Examples for applications: Endoscopes, fiber optic bunches, light emitting diodes.



Technical data:

Measuring range:	0.0002 lm to appr. 38 lm
Smallest resolution:	0.001 lm
Sensitivity:	20nA/lm
Acceptance angle:	up to 90°
Accuracy:	DIN quality class B
Nominal temperature:	24°C ±2K
Humidity range:	10 to 90 % non-condensing
Operating temperature:	max. 100°C inside globe
Inner diameter of globe:	50mm
Test opening:	12,7 mm



Type

Light flux probe head with ALMEMO® connecting cable 2m long and factory calibration certificate

Order no.

FLA603LSM4

Factory calibration KL90xx radiation for sensor (see chapter Calibration certificates)