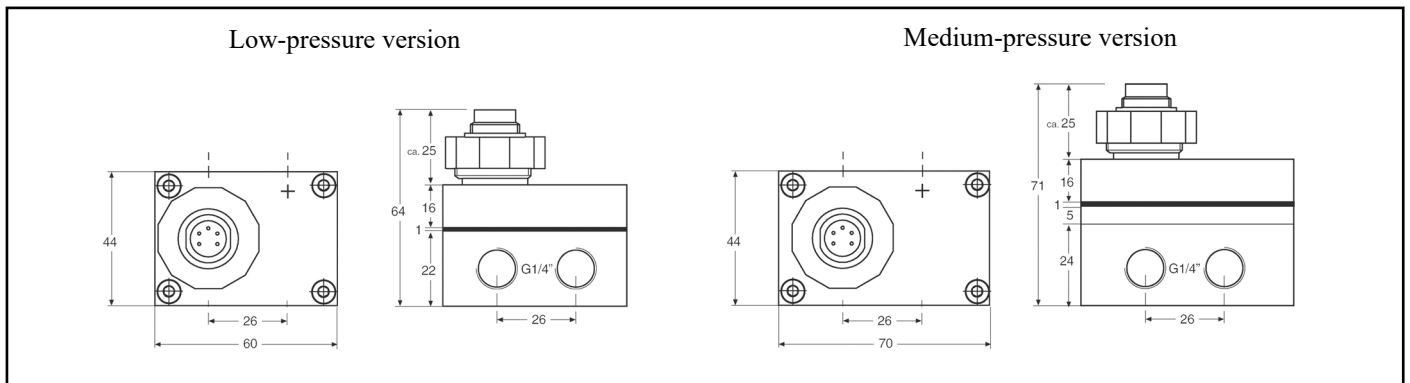


Pressure

Differential pressure transmitter FDA 602 D



- This measures the differential pressure in liquid and gaseous media indirectly using two absolute pressure sensors.
- This makes it less expensive but more robust with respect to asymmetrical overload.
- The differential pressure range should be at least 5% of the standard pressure range.
- Each side of the sensor incorporates two pressure connections. The transmitters can thus be used easily and conveniently in pressure pipes.
- It incorporates a high-speed, high-precision microprocessor.
- All reproducible errors affecting the pressure sensors, i.e. involving non-linearity and temperature dependency, can be completely eliminated by means of mathematical error compensation.



Technical Data:

Standard pressure range (maximum measurable pressure per pressure connection), overload, differential pressure range.	See versions listed below.	Power supply	6 to 15 VDC via ALMEMO® connector
Storage / operating temperature	-40 to +100 °C	Output	0 to 2 V
Compensated standard range	-10 to +80 °C	Electrical connection	Binder plug, including ALMEMO® connecting cable, 2 meters
Error margin	≤0.05% typical, ≤0.1% max. of final value to standard pressure range	CE conformance	EN61000-6-1 to 4 with shielded cable
(linearity + hysteresis + reproducibility + temperature error)		Protective class	IP 65
Pressure connections	G1/4" thread, female (2 per side)	Weight	
Material in contact with medium	Stainless steel, 316L, DIN 1.4435	Low-pressure version	475 grams
		Medium-pressure version	750 grams

Types

Differential pressure transmitter, including ALMEMO® cable, 2 meters

Standard pressure range Absolute pressure	Overload	Differential pressure range Please indicate final value	Order no.
Low-pressure version			
0 to 3 bar	10 bar	0 to 0.2 to 3 bar	FDA602D01
0 to 10 bar	20 bar	0 to 0.5 to 10 bar	FDA602D02
0 to 25 bar	30 bar	0 to 1.25 to 25 bar	FDA602D03
Medium-pressure version			
0 to 100 bar	200 bar	0 to 5 to 100 bar	FDA602D10
0 to 300 bar	450 bar	0 to 15 to 300 bar	FDA602D11

DAkKS or factory calibration KD9xxx pressure for sensor or measuring chain (sensor + device) (see chapter Calibration certificates).
DAkKS calibration meets all the requirements regarding test resources laid down in DIN EN ISO/IEC 17025.