

Differential pressure and Pitot tube measurement Measuring connector FDA 602 S1K / S6K



Measuring connector FDA602S1K / S6K

- Pressure measuring connector in compact design for flow measurement with Pitot tubes
- Fitting for connecting hose between Pitot tube and pressure measuring connector
- Pressure measuring connector can be plugged directly onto the measuring instrument.

Technical data

Overload capacity	Maximum three times final value	Operating range	-10 to +60 °C, 10 to 90% RH, non-condensing
Max. common mode pressure	700 mbar	Dimensions	74 x 20 x 8.8 mm
Accuracy (zero-pt adjusted)	±0.5% of final value in range 0 to positive final value	Hose terminals	Ø 5 mm, 12 mm long
Nominal temperature	25 °C	Sensor material	aluminum, nylon, silicone, silica gel, brass
Temperature drift	< ±1.5 % of final value		
Compensated temp. range	0 to +70 °C		

! Advisory note when used in conjunction with ALMEMO® 2890, 5690, 5790, 8590, 8690, 500, 809: The new ALMEMO® pressure measuring connector is very slightly higher (8.8 mm). As a result adjacent input sockets on the ALMEMO® device may be partly covered. However, the 1st input socket can always be used without restriction. Or, alternatively, the ALMEMO® pressure measuring connector can be plugged in at any input socket using connecting cable ZA9060AK1.

! On ALMEMO® devices to obtain precise measured results in m/s the wind tunnel temperature can be entered in the -50 to +700 °C range for compensation purposes.

Accessories

ALMEMO® pressure measuring connector for barometric pressure 700 to 1100 mbar, without pressure terminal sleeve
Technical data see page 11.12

including programming for automatic atmospheric pressure compensation (comment *P)
(variant with pressure terminal sleeve, see page 10.11)

Connecting cable, 0.2 meters

Extension cable, 2 meters

1 set of silicone hoses

black / colorless, 2 meters

Silicone hose, black, per meter

Silicone hose, colorless, per meter

Order no.

FDAD12SA

OA9000PK

ZA9060AK1

ZA9060VK2

ZB2295S

ZB2295SSL

ZB2295SFL

Variants (including manufacturer's test certificate)

(including one set of silicone hoses, 2 meters)

Measuring ranges ±1250 Pa, Differential pressure (1 to 40 m/s), Measured variables: m/s, Pa,
Measuring connector, independent of position

Measuring ranges ±6800 Pa Differential pressure (2 to 90 m/s) Measured variables m/s, Pa,

Measuring connector, independent of position

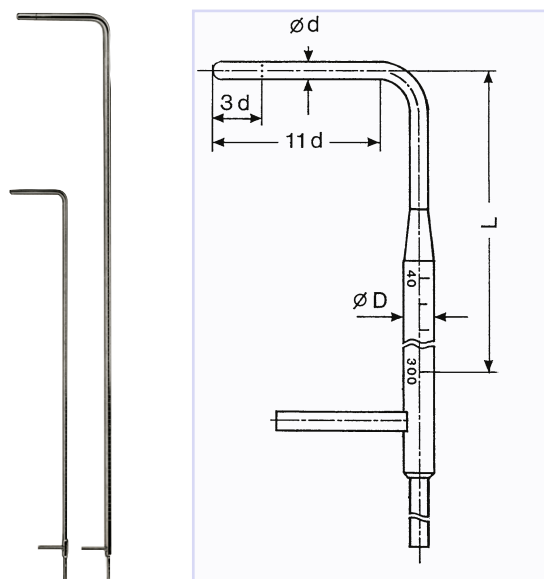
Order no.

FDA602S1K

FDA602S6K

DAkKS or factory calibration KV90xx, air flow, and KD90xx, pressure, for sensor or measuring chain (sensor + device) (see chapter „Calibration certificates“). DAkKS calibration meets all the requirements regarding test resources laid down in DIN EN ISO/IEC 17025.

Pitot Tubes for Differential Pressure Sensors FDA602



- Prandtl Pitot tubes with hemispheric head.
- For measuring the dynamic pressure, the tip of the Pitot tube has an opening of $0.3d$.
- For measuring the static pressure, a total of 12 holes with $0.1d$ \varnothing have been arranged at a distance of $3d$.



Mit ALMEMO® devices that have an option for entering factors can also be used to perform wind velocity measurements with cylindrical probes, according to VDEH. The cylindrical Pitot tubes have a probe-related coefficient of 1.7. By entering a factor of 0.767 in the range m/s this coefficient will be considered during the measurement.

Option

Movable screw connection for brass Pitot tubes with shaft diameter x (6; 8; 10; 20mm)
for steel Pitot tubes with shaft diameter x (6; 8; 10; 20mm)

Order no.

ZB9912KMx
ZB9912KVx

Types and Technical Data:

Head Diameter (d)	Shaft Diameter (D)	Length	Tmax	Permiss. Dust	Material	Order no.
3 mm	6 mm	300 mm	150°C	none	Nickel-plated brass	FD991233MS
3 mm	6 mm	300 mm	300°C	none	Chrome-nickel steel	FD991233VA
5 mm	8 mm	400 mm	350°C	none	Nickel-plated brass	FD991254MS
5 mm	8 mm	400 mm	500°C	none	Chrome-nickel steel	FD991254VA
5 mm	8 mm	600 mm	350°C	none	Nickel-plated brass	FD991256MS
5 mm	8 mm	600 mm	500°C	none	Chrome-nickel steel	FD991256VA
8 mm	8 mm	400 mm	350°C	low	Nickel-plated brass	FD991284MS
8 mm	8 mm	400 mm	500°C	low	Chrome-nickel steel	FD991284VA
8 mm	8 mm	800 mm	350°C	low	Nickel-plated brass	FD991288MS
8 mm	8 mm	800 mm	600°C	low	Chrome-nickel steel	FD991288VA
10 mm	10 mm	800 mm	350°C	some	Nickel-plated brass	FD991296MS
10 mm	10 mm	800 mm	600°C	some	Chrome-nickel steel	FD991296VA*
10 mm	10 mm	1000 mm	350°C	some	Nickel-plated brass	FD991297MS
10 mm	10 mm	1000 mm	600°C	some	Chrome-nickel steel	FD991297VA*
10 mm	20 mm	1500 mm	350°C	some	Nickel-plated brass	FD991298MS
10 mm	20 mm	1500 mm	600°C	some	Chrome-nickel steel	FD991298VA*
20 mm	20 mm	2000 mm	600°C	more	Chrome-nickel steel	FD991299VA*

*) all VA Pitot tubes can be operated up to 700°C for a short period