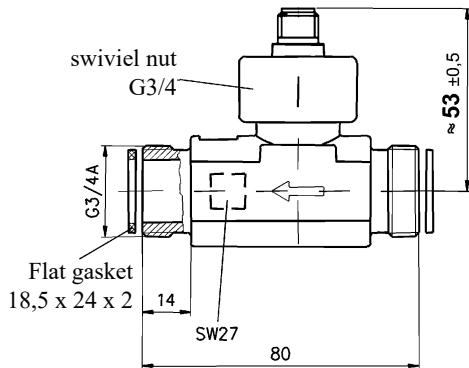


Axial turbine flowmeter for liquids FVA 915 VTHM



- For measuring the volume flow rate or for dosing tasks with small flow rates.
- Extraordinary compact design.
- Wide, usable measuring range.
- Various options for operation: Cooling water flow, medical technology, plastics industry, solar systems, baker's equipment, machine tools, catering equipment, photographic laboratory equipment, dispensers, dosing equipment, cooling equipment, heating applications, calorimetry.

Technical Data:

Nominal diameter	DN 15	
Measuring range	2 to 40 l / min continuous load max. 20 l/min	
Measuring accuracy	±1% of finale value	
Reproducibility :	± 0,2 %	
Signal output	from 0.3 l/min	
maximum size of particles in medium	0.5 mm	
maximum temperature of medium	85°C	
Nominal pressure	PN10	
Process connection	G 3/4" external thread and union nuts	
Pressure loss in bar	$\Delta p = 0.00145 \times Q^2$ (Q in l/min) approx. 0.6 bar at 20 l / min approx. 2.3 bar at 40 l / min	
Protection system	IP 54	
Output signal		(from ALMEMO® device)
Pulse rate / K factor	940 pulses / liter	Electrical connection
Resolution	1.1 ml / pulse	4-pin connector M12x1 including PVC line (Tmax =70 °C) with ALMEMO® connector
Signal form	rectangular signal, NPN, open collector	Materials
Measuring transducer	Hall sensor	pipe section
Supply voltage	4,5 ... 24 V DC	brassCuZn36Pb2As
		Flat gasket
		NBR
		Turbine cage
		PEI ULTEM
		Rotating vane
		PEI ULTEM
		Rotor complements
		hard ferrite magnets
		Axle / bearing
		axle Arcap AP1D with hard metal pins in saphire bearings
		Bearing support
		Arcap AP1D
		Sensor
		PPO Noryl GFN3
		O-ring
		NBR
		Knurled swivel nut *
		PA GF 30

* not coming into contact with the medium

Types

incl. connecting cable, 6m long with ALMEMO® connector, turbine body made of brass
Factory calibration KV91xx flow for digital sensor (see chapter Calibration certificates)

Order no.
FVA915VTHM

Other designs are available on request

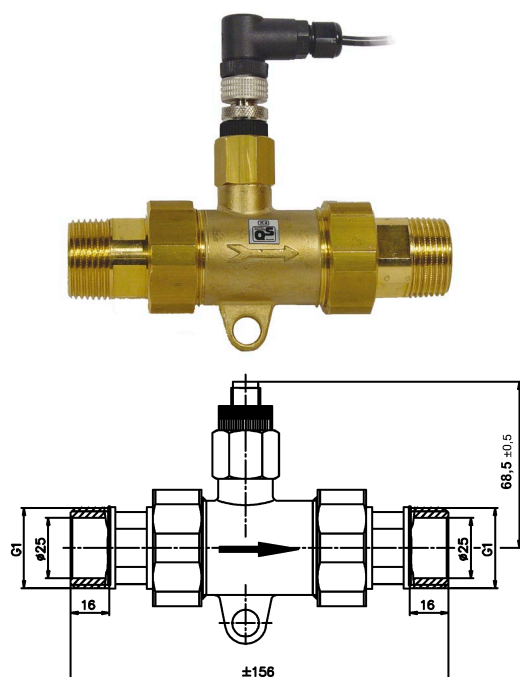
Axial turbine flowmeters FVA915VTPx for water up to 150 °C, 300 bar,
2 to 40 l/min Figure - similar to above

Magnetic-inductive flowmeters FVA 915 VMZx without moving parts,
for small flow rates from 0.1 l / min and high flow rates up to 250 l / min



FVA 915 VMZ

Axial turbine flowmeter for liquids FVA 915 VTH25M



- For measuring the volume flow rate or for dosing tasks with large flow rates.
- Compact design.
- Wide useful operating range.
- Wide variety of applications :
 - Cooling water flow, medical technology, plastics industry, solar systems, baker's equipment, machine tools, catering equipment, photographic laboratory equipment, dispensers, dosing equipment, cooling equipment, heating applications, calorimetry.

Technical Data

Nominal diameter	DN 25
Measuring range	4 to 160 l/min
Continuous load	max. 80 l/min
Measuring accuracy	±5% of measured value up to 5l/min ±7% of measured value
Reproducibility :	±0.5%
Signal output	from < 1 l/min
maximum size of particles in medium	0.63 mm
maximum temperature of medium	85°C
Nominal pressure	PN10
Process connection	G 1¼" external thread including adapter for R 1" (absolutely necessary)
Pressure loss	approx. 0.1 bar at 80 l / min approx. 0.45 bar at 160 l / min
Protection system	IP 54
Output signal	
Pulse rate / K factor	65 pulses / liter

Resolution	15 ml / pulse
Signal form	NPN, open collector
Measuring transducer	Hall sensor
Supply voltage	4,5 ... 24 V DC (from ALMEMO® device)
Electrical connection	4-pin connector M12x1 including PVC line (Tmax =70 °C) with ALMEMO® connector

Materials

Pipe section	brass, CW602N
Turbine cage	PPO Noryl GFN 1630V
Rotation vane	PPO Noryl GFN 1520V
Rotor complements	Hard Ferrite Magnets
Axle / bearing	stainless steel 1.4539 / sapphire, PA
Sensor socket	PPO Noryl GFN 1630V
O-ring	EPDM

Type

incl. connecting cable, 6 m long, with ALMEMO® connector, turbine body made of brass
Factory calibration KV91xx flow for digital sensor (see chapter Calibration certificates)

Order no.
FVA915VTH25M

Other designs are available on request

Axial turbine flowmeters FVA 915 VTH40 6.7 to 417 l/min, DN40
Figure - similar to above

Turbine flowmeters FVA 915 VTRx
Stainless steel, up to 120 °C, up to 250 bar for different flow rates
from 1.8 l/min to 1133 l/min

